

Network Camera Quick Start Guide

Thank you for purchasing our product. There may be several technically incorrect places or printing errors in this manual. The updates will be added into the new version of this manual. We will readily improve or update the products or procedures described in the manual. The content is subject to change without notice.

1 Warning and Caution

■ If the product does not work properly, please contact your dealer or the nearest service center. Never attempt to disassemble the camera yourself. (We shall not be responsible for any problems caused by unauthorized repair or maintenance.)

■ Keep away from liquid while in use.

■ In the use of the product, you must be strict compliance with the electrical safety regulations of the nation and region. When the product is mounted on wall or ceiling, the device shall be firmly fixed.

■ Do not use camera beyond specified voltage range.

■ Do not drop the camera or subject it to physical shock.

■ Avoid touching the camera lens.

■ If cleaning is necessary, please use clean cloth to wipe it gently. If the device will not be used for a long time, please cover the lens cap to protect the device from dirt.

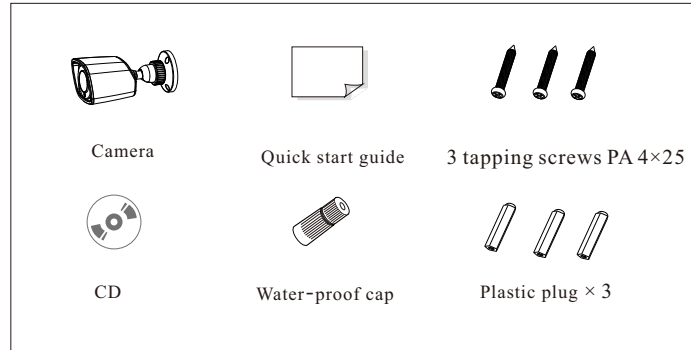
■ Do not aim the camera at the sun or extra bright place.

■ Do not place the camera in extremely hot, cold (the operating temperature shall be $-20^{\circ}\text{C}\sim 50^{\circ}\text{C}$), dusty or damp locations, and do not expose it to high electromagnetism radiation.

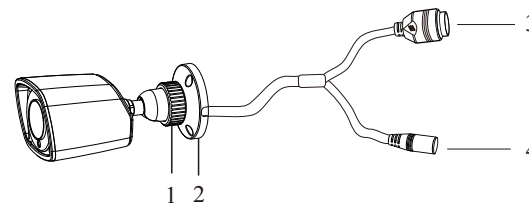
■ To avoid heat accumulation, good ventilation is required for operating environment.

■ A few parts of the device shall be replaced regularly according to their average enduring time. Regular checking is recommended for all users.

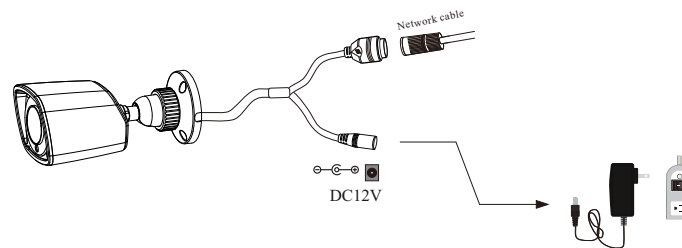
2 Package



3 Overview



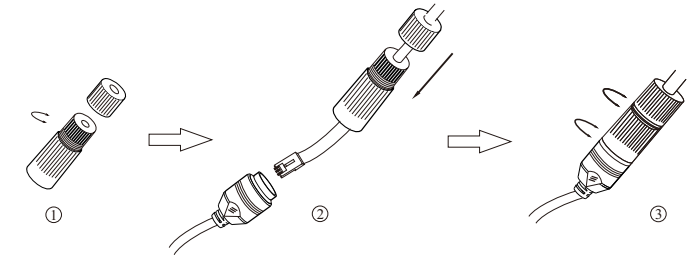
1	Fixed Ring	3	Network Cable
2	Mounting Base	4	Power Cable



* 1 It is recommended to install the water-proof cap for network cable connection.

* 2 If the PoE network switch is used to connect the camera that supports PoE power supply, DC12V power supply is not required.

► Connecting Network Cable



① Loosen the nut from the main element.

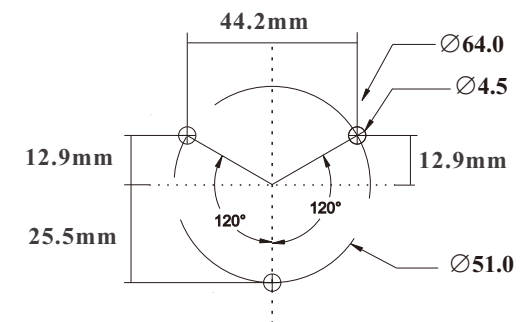
② Run the network cable (without RJ 45 connector) through the both elements. Then crimp the cable with RJ 45 connector.

③ Connect the cable to the hermetic connector. Then tighten the nut and the main cover.

4 Installation

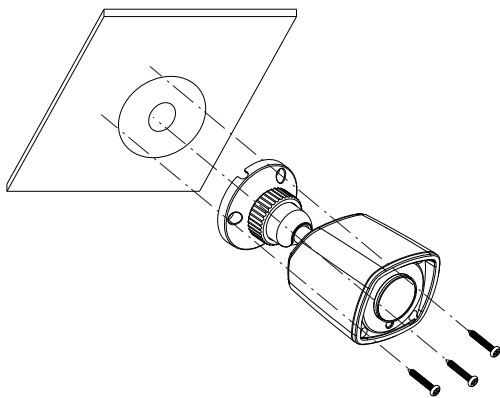
Please make sure that the wall or ceiling is strong enough to withstand 3 times the weight of the camera. Please install and use the camera in the dry environment. You'd better install back the lens cover less than 4 hours after removing it.

① Drill the screw holes and the cable hole on the wall according to the holes of the mounting base.

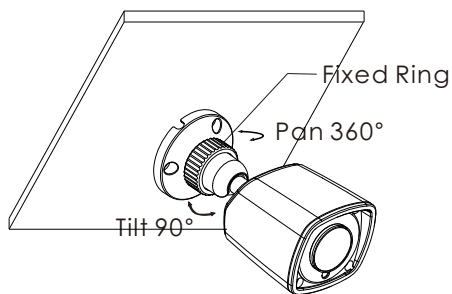


② Route and connect the cables.

③ Secure the mounting base with camera to the wall with screws as shown below.



④ Bracket adjustment. Before adjustment, preview the image of the camera on a monitor and then loosen the fixed ring to adjust the view angle of the camera.

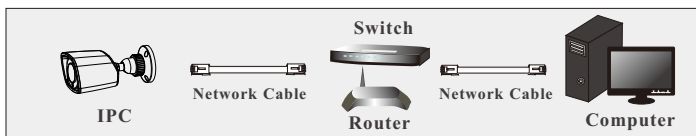


⑤ Tighten the fixed ring after the adjustment.

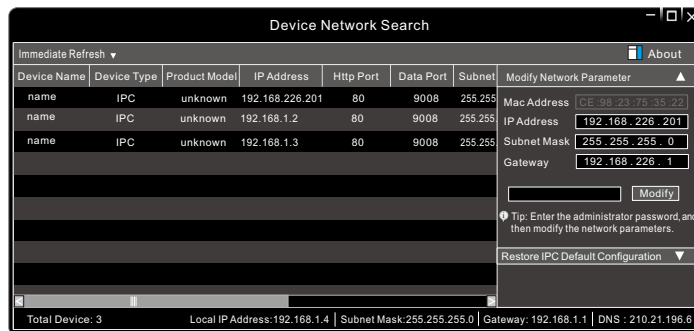
5 IE Network Connection

Here we take accessing IP camera via LAN for example. In LAN, there are two ways to access. 1. Access through IP-Tool; 2. Directly Access through IE Browser

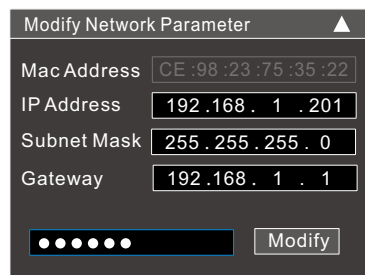
● Access the camera through IP-Tool



- ① Make sure that the camera and the PC are well connected via LAN.
- ② Find the IP-Tool from the CD and then install it in the computer. After that, run the IP-Tool as shown below.



- ③ Modify the IP address. The default IP address of this camera is 192.168.226.201. Click the information of the camera listed in the above table to show the network information on the right hand. Modify the IP address and gateway of the camera and make sure its network address is in the same local network segment as that of the computer. Please modify the IP address of your device according to the practical situation.



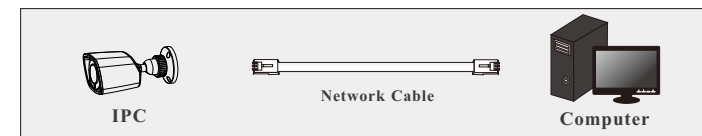
For example, the IP address of your computer is 192.168.1.4. So the IP address of the camera shall be changed to 192.168.1.X. After modification, please input the password of the administrator and click “Modify” button to modify the setting.

⚠ The default password of the administrator is “123456”.

- ④ Double-click the IP address and then the system will pop up the IE browser to connect IP-CAM. After downloading Active X control, a login window will pop up. Input the user name and password to login.

⚠ The default username is *admin*; the default password is 123456.

● Directly Access Through IE

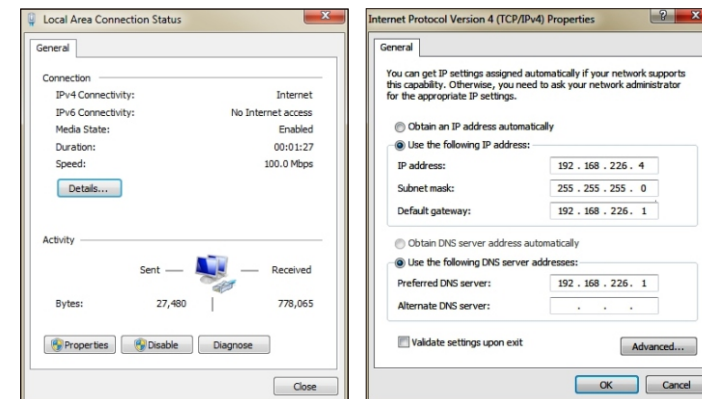


The default network settings are as shown below:

IP address: 192.168.226.201 HTTP:80
 Subnet Mask: 255.255.255.0 Data Port:9008
 Gateway: 192.168.226.1

You may use the above default settings when you log in the camera for the first time.

- ① Set the IP address of the PC and make sure the network segment should be as the same as the default settings of IP-CAM. Open the network and share center. Click “Local Area Connection” to pop up the following window. Select “Properties” and then select Internet protocol according to the actual situation (for example: IPv4). Next, click “Properties” button to set the network of the PC.



- ② Open the IE browser and input the default address of IP-CAM and confirm. The IE browser will download Active X control automatically.

- ③ After downloading Active X control, the login dialog box will pop up.

- ④ Input the default username and password and then enter to view.