

DVR

8/16 CH Hybrid DVR

TD-2008TS-HL



TD-2116TS-HL



HD Output



DDNS



Network



PTZ



Audio



MIC



Mobile



CMS



USB



Mouse



E-mail

The series of product can connect analog and IP cameras simultaneously, which adopts the standard H.265 high profile compression format and the advanced SOC technique to ensure real time recording in each channel and realize outstanding robustness of the system. This series supports 8 / 16 CH video input, 1 / 1 CH audio input, simultaneous 8 / 16 CH playback.

The series of product can meet different security requirements of home, financial, commerce, enterprise, transportation and government, etc.



SPECIFICATIONS

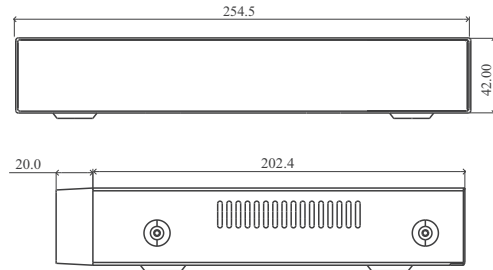
Model		TD-2008TS-HL	TD-2116TS-HL
System	OS	Embedded Linux	
Video	Analog Video Input	BNC × 8	BNC × 16
		BNC interface (1.0Vp-p; 75Ω)	
		TVI/AHD/CVI: 1080P/1080P Lite/720P/720P Lite/WD1	
	IP Video Input	2CH (up to 10CH)	2CH (up to 18CH)
		Up to 5MP@25fps/4MP@30fps	
	Total Input	10CH	18CH
	Output	HDMI × 1 : 1920 × 1080 / 1280 × 1024 / 1024 × 768 VGA × 1 : 1920 × 1080 / 1280 × 1024 / 1024 × 768 CVBS: No	HDMI × 1 : 1920 × 1080 / 1280 × 1024 / 1024 × 768 VGA × 1 : 1920 × 1080 / 1280 × 1024 / 1024 × 768 BNC × 1: CVBS(used as the main or spot output)
	Compression	H.264/H.265	
Multi-screen Display	1/4/6/8/9/13/16	1/4/6/8/9/13/16/25	
Audio	Input	RCA × 1	
	Output	RCA × 1 (linear, 600Ω)	
	Two-way audio	Take up channel one audio input	
	Compression	G.711(U/A)	
Record	Resolution	1080P Lite/720P/720P Lite/WD1	
	Frame Rate	Analog Channel: 1080P Lite/720P: 25fps (PAL)/30fps (NTSC) (only CH 1 supports) 1080P Lite/720P: 12fps (PAL)/15fps (NTSC) (other channels support) 720P Lite/WD1: 25fps(PAL) / 30fps(NTSC) IP Channel: 25fps(PAL) / 30fps (NTSC)	
	Bit Rate	32Kbps ~ 4Mbps	
Playback	Playback	8CH	16CH
	Search	Time slice / time / event / tag search	
	Smart Search	Highlight colors to display the camera record in a certain period of time, different colors refer to different record events	
	Function	Play, pause, FF, FB, digital zoom, etc.	
Alarm	Mode	Manual, motion, exception, smart event	
	Input	No	
	Output	No	
Network	Interface	RJ 45 100Mbps × 1	
	Protocol	TCP/IP, PPPoE, DHCP, DNS, DDNS, UPnP, HTTP, HTTPS, NTP, SMTP	
	Incoming Bandwidth	16Mbps (Max. 56Mbps)	16Mbps(Max. 80Mbps)
	Outgoing Bandwidth	60Mbps	80Mbps
	Client Connection	Max. 5 users access	Max. 10 users access
MobileDevice	OS	iOS, Andriod	
Storage	HDD	SATA × 1, up to 6TB	SATA × 1, up to 8TB
Backup	Local Backup	U disk, USB mobile HDD	
	Network Backup	Yes	
Port	RS 485	No	
	USB	USB 2.0 × 2	
	Remote Controller	No	Optional
Others	Power Supply	DC12V / 1.5A	DC12V / 2A
	Consumption	≤ 5W (without HDD)	≤ 10W (without HDD)
	Dimensions(mm)	255 × 222 × 42 (W × D × H)	255 × 234 × 42 (W × D × H)
	Working Environment	-10~50°C, 10%~90% (humidity)	
	Certificate	CE, FCC	
	Environment Protection	Comply with Directive EU RoHS, WEEE, REACH	

FEATURES

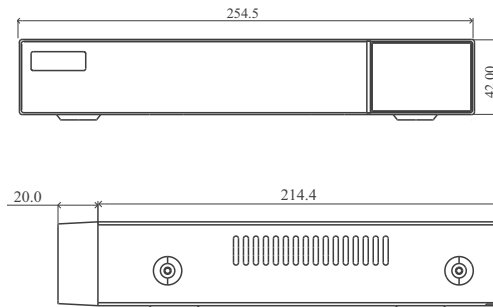
- 8 / 16 CH TVI / AHD / CVI 1080P / 1080PLite / 720P / 720P Lite / WD1 video input
- 8 / 16 CH DVR supports 2 / 2 CH 5MP / 4MP / 3MP / 1080P / 960P / 720P IP video input by default
- 8 / 16 CH DVR default supports 8 / 16 CH analog input switched to IP input
- Adopt standard H.265 high profile compression format to get high-quality video at much lower bit rate
- Intuitive and user-friendly Graphics User Interface (GUI), window style operation by mouse
- Multi-mode recording: manual / timed / motion / AI recording
- Playback : 8 / 16 CH simultaneously playback
- Search: time slice, time, event, tag search
- Express and flexible backup via USB, network and so on
- Pentaplex: preview, record, playback, backup and remote access
- DHCP, DDNS, PPPoE network protocol
- Remote control via Web or CMS : preview, playback, backup, PTZ and configuration
- Dual stream technology for local storage with high definition, remote network transmission and remote surveillance with mobile device
- Authorization management, log review and device status review
- Support 1080P output, true high resolution display
- Support PTZ preset and auto cruise, up to 255 presets and 8 cruises
- Support NAT function and QRCode scanning by mobile phones
- Powerful mobile surveillance by smart phones with iOS and Andriod OS

DIMENSIONS

TD-2008TS-HL

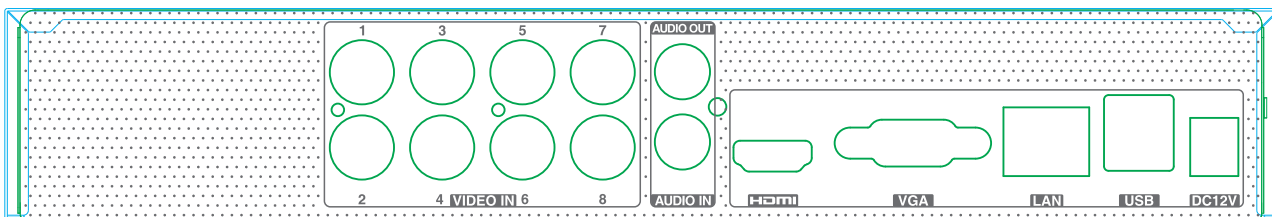


TD-2116TS-HL



Rear Panel

TD-2008TS-HL



TD-2116TS-HL

